



HONEYBEE ROBOTICS
Motion Control

Micro-Sat SADA

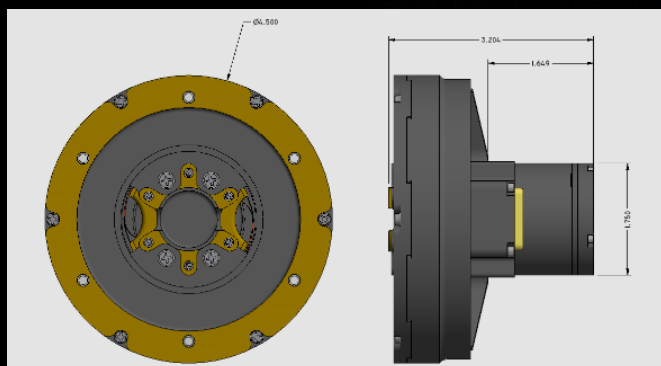
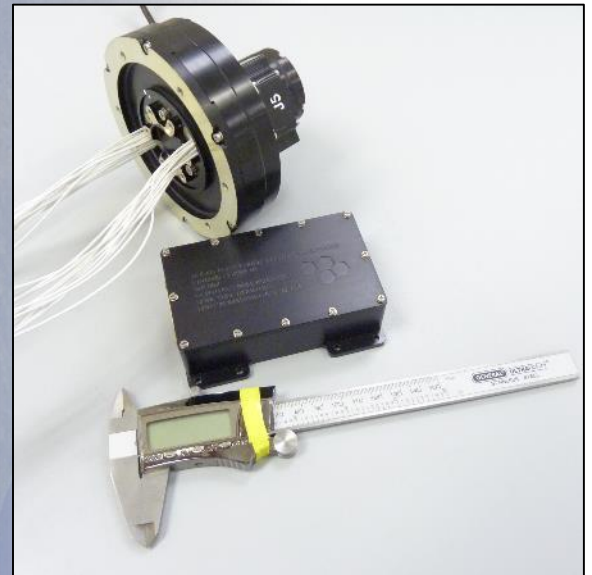
Description

Honeybee's Micro-Sat Hybrid Stepper Actuator offers fine pointing for a variety of applications. The design is based on modular sections so that it can be built-up using COTS hardware, space-flight grade components, or anything in between. Position feedback is provided by a potentiometer.

The unit can be configured to accommodate power transfer for solar array pointing or gimbal applications.

May be combined with a flight-qualified Electronics Box for a fully-integrated system.

Specification	Data
Mass	<900 g
Motor Type	1.8° Hybrid Stepper
Output Rate	1.0 deg/sec
Range of Motion	+/- 180°
Output Step Size	0.018°
Output Torque (continuous)	0.75 Nm
Holding Torque (powered)	>1.0 Nm
Holding Torque (unpowered)	>0.3 Nm
Harmonic Drive Size and Ratio	Size 8, 100:1
Torsional Stiffness	>700 Nm/rad
Operating Temperature Range (extended capacity available)	-35 to +70°C
Power Transfer	16 Power (1.1 Amp ea.) 12 Signal
Potentiometer Range	350°
Size	
Maximum Diameter (S/C flange)	Ø4.5 in (Twist Cap)
Overall Length	3.25 in



Contact

Honeybee is ISO9001:2000 and AS9100C certified.

Honeybee Robotics
Spacecraft Mechanisms Corp.

Erik Mumm, VP – Director of Engineering

mumm@HoneybeeRobotics.com ph. 720-491-5555

www.HoneybeeRobotics.com